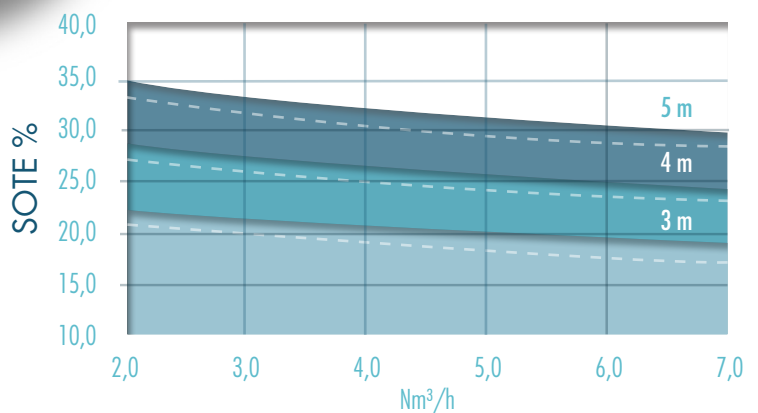


AirTech

9" 9" fine bubbles disc diffuser with EPDM membrane



Dimensions

Code	04061-04071
Outer diameter [mm]	270
Threaded connection	3/4" NPT
Weight [Kg]	0,72

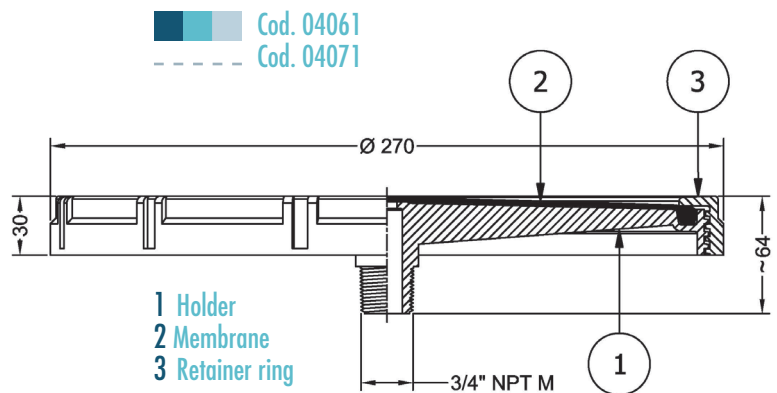
Performance

Code	04061	04071
Minimum airflow [Nm³/h]	1,0	2,0
Nominal airflow [Nm³/h]	3,5	5,5
Maximum airflow [Nm³/h]	7,0	11,0
Design airflow range [Nm³/h]	2,0-4,0	4,5-6,5
* Head losses [cm w.c.]	35,0	28,0

* Head losses are calculated at nominal airflow and 4m submergence

Materials

Code	04061-04071
Membrane	EPDM Perox
Holder	PPGF 30%
Retainer ring	PPGF 30%



Membrane

Code	04061	04071
Number of slits	>6.500	>4.000
Perforation [mm]	1,0-1,0	1,5-1,5
Active surface [m²]	0,0381	0,0381
Average thickness [mm]	2,2	2,2
Tensile strength [Kg/cm²]	>140	>140
Elongation at break [%]	600	600
Hardness [Shore A]	60	60
Plasticizer content [%]	< 10	< 10

NOTES

SOTE according to EN 12255-15
 Tolerances on the thickness $\pm 0,2$ mm
 Tensile strength according to ISO 37 type 1
 Elongation at break ISO 37 type 1